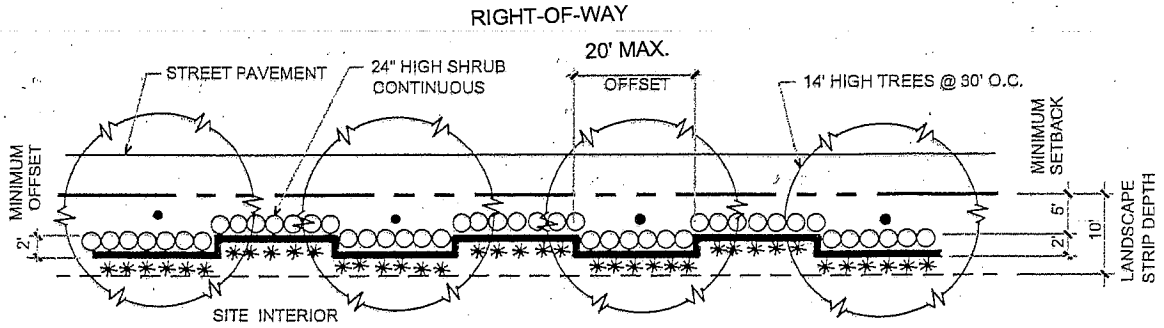
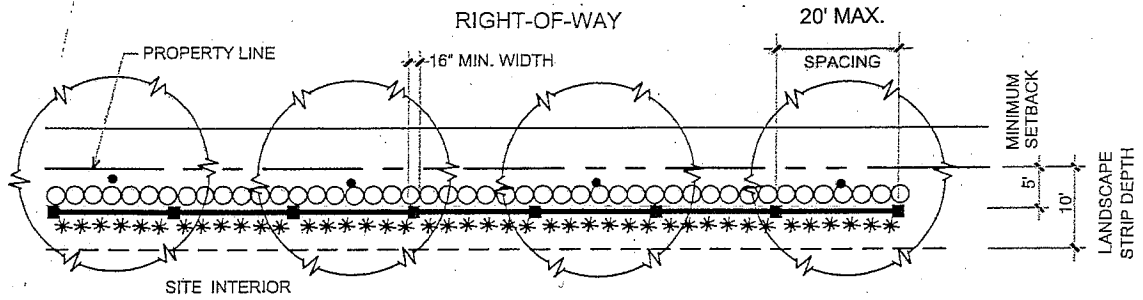


# Exhibit A

IF THE ADJACENT LOT IS ZONED AS SINGLE FAMILY RESIDENTIAL AND IT IS LOCATED WITHIN A CONVERSION AREA, AN OPAQUE FENCE THAT IS AT LEAST 6' FOOT IN HEIGHT IS REQUIRED, UNLESS REQUIRED OTHERWISE FOR INDUSTRIAL USES.

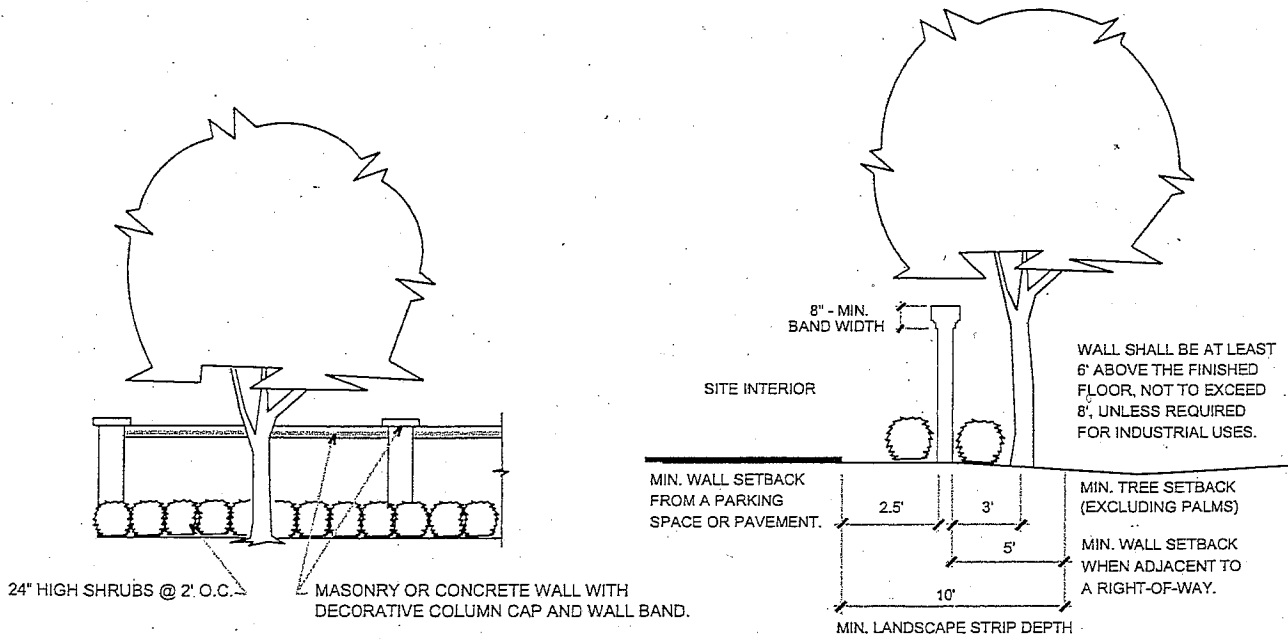


ALTERNATIVE 1. WALL WITH OFFSETS



ALTERNATIVE 2. WALL WITH EMBEDDED COLUMNS

## APPENDIX A. REQUIRED WALL PLAN - ADJACENT TO A RIGHT-OF-WAY



## APPENDIX B. REQUIRED WALL ELEVATION DETAIL - ADJACENT TO A RIGHT-OF-WAY